

# CRS-N90V/RS-N50

## SERVICE MANUAL

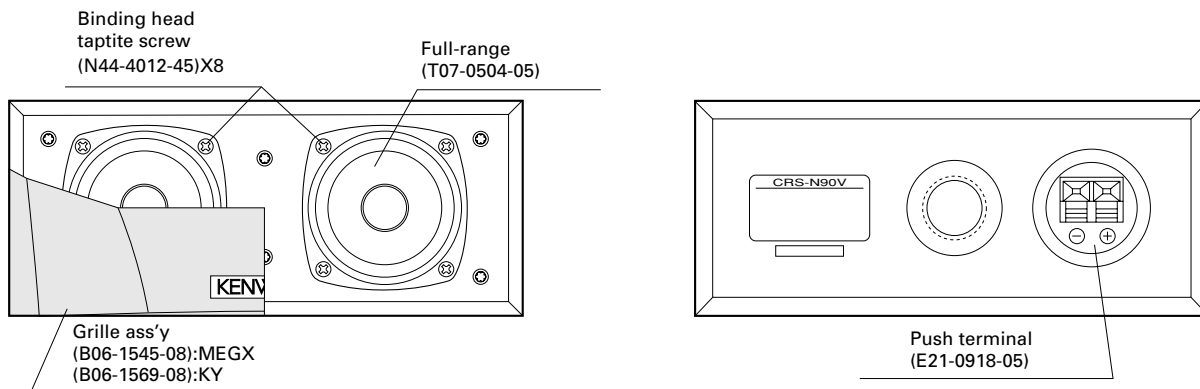
(XD-DV90/XD-DV90(M2))

(XD-DV80/XD-DV80(M2))

©2001-4/B51-5720-00 (Z/K)2537

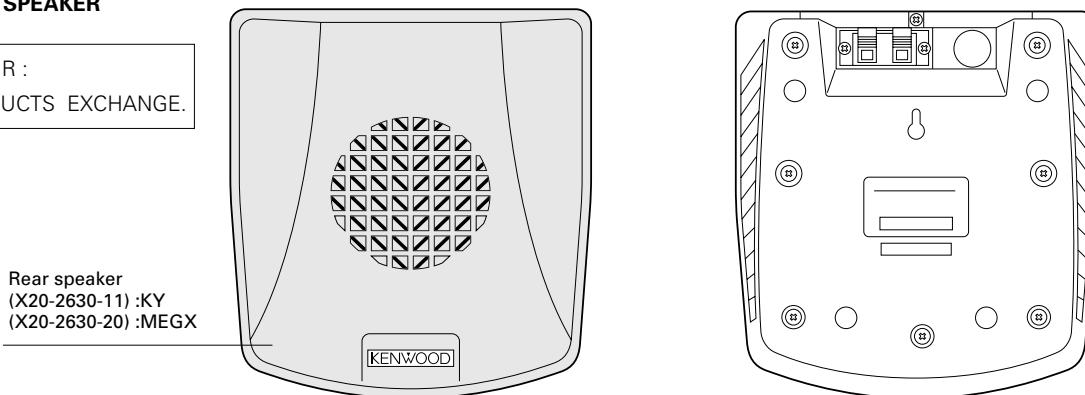
### EXTERNAL VIEW

#### CENTER SPEAKER



#### REAR SPEAKER

REPAIR :  
PRODUCTS EXCHANGE.



### SPECIFICATIONS

	CENTER SPEAKER	REAR SPEAKER (RS-N50)
<b>System</b> .....	Full range speaker system	Full range speaker system
<b>Enclosure</b> .....	Bass-reflex type	Bass-reflex type
<b>Speaker configuration</b> .....	Full range 80 mm (3-1/8") cone type	Full range 100 mm (4") cone type
<b>Nominal Impedance</b> .....	6Ω	8Ω
<b>Maximum Input Power</b> .....	80W	30W
<b>Dimensions</b> .....	Width: 260mm (10-1/4")	200mm (7-7/8")
	Height: 108mm (4-1/4")	98mm (3-7/8")
	Depth: 203mm (8")	213mm (8-3/8")
<b>Net Weight</b> .....	1.9kg (4.3 lbs)	0.9kg (1.9 lbs)

CRS-N90V : CENTER+REAR X2  
RS-N50 : REAR X2

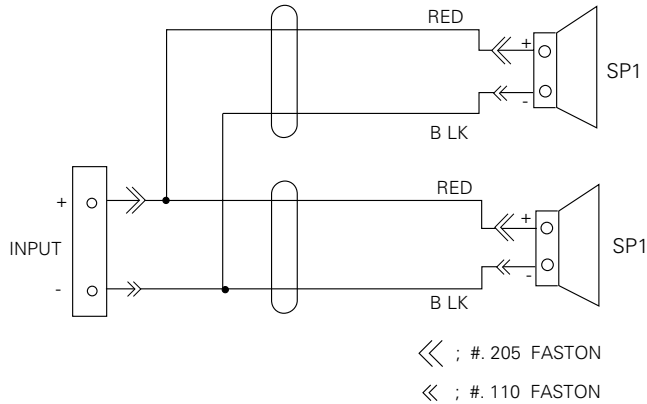
**Note:** \_\_\_\_\_

KENWOOD follows a policy of continuous advancements in development. For this reason specifications may be changed without notice.

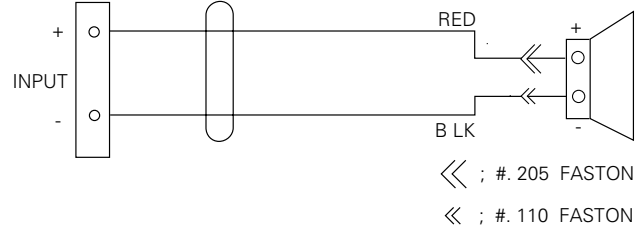
# CRS-N90V/RS-N50

## DIVIDING NETWORK UNIT/PARTS LIST

### CENTER SPEAKER



### REAR SPEAKER



### PARTS LIST

\* New Parts

Parts without **Parts No.** are not supplied.

Les articles non mentionnés dans le **Parts No.** ne sont pas fournis.

Teile ohne **Parts No.** werden nicht geliefert.

Ref. No.	Address	New Parts	Parts No.	Description	Destination	Remarks
<b>CRS-N90V</b>						
-		*	E30-5542-05	SPEAKER CORD		
-		*	H10-8229-08	POLYSTYRENE FOAMED FIXTURE		
-		*	H10-8230-08	POLYSTYRENE FOAMED FIXTURE	KXY	
-		*	H13-1926-08	CARTON BOARD		
-		*	H21-1321-08	PROTECTION SHEET		
-		*	H21-1358-08	PROTECTION SHEET		
-		*	H51-1675-08	ITEM CARTON CASE	M	
-		*	H51-1676-08	ITEM CARTON CASE	EG	
-		*	W01-1175-08	ACCESSORY(CUSHION)		
-		*	X20-2630-11	REAR SPEAKER (RS-N50)	KY	
-		*	X20-2630-20	REAR SPEAKER (RS-N50)	MEGX	
<b>RS-N50</b>						
-		*	B61-1100-00	INSTRUCTION MANUAL	ME	
-		*	B61-1101-00	INSTRUCTION MANUAL	M	
-		*	E30-5543-05	SPEAKER CORD		
-		*	H10-8249-08	POLYSTYRENE FOAMED FIXTURE		
-		*	H10-8250-08	POLYSTYRENE FOAMED FIXTURE		
-		*	H21-1321-08	PROTECTION SHEET		
-		*	H51-1677-08	ITEM CARTON CASE	M	
-		*	H51-1678-08	ITEM CARTON CASE	E	
-		*	W01-1176-08	ACCESSORY(CUSHION)		
<b>CENTER SPEAKER (X20-2620-20)</b>						
-		*	B06-1545-08	GRILLE ASSY	MEGX	
-		*	B06-1569-08	GRILLE ASSY	KY	
-		*	E21-0918-05	PUSH TERMINAL		
SP1		*	T07-0504-05	FULL-RANGE		

L: Scandinavia

K: USA

P: Canada

R: Mexico

C: China

I: Malaysia

Y: PX(For East Hawaii)

T: England

E: Europe

G: Germany

V: China(Shanghai)

Y: AAFES(Europe)

X: Australia

Q: Russia

H: Korea

M: Other Areas

⚠ indicates safety critical components.

## KENWOOD CORPORATION

14-6, Dogenzaka 1-chome, Shibuya-ku, Tokyo, 150 Japan